

*Fronius* **KASAMAS** *Speedglas* parweld **SOLTER** *Kjellberg*

# Ádám és Ádám Kft

**HEGESZTÉSTECHNIKA  
FÉMSZÓRÁSTECHNIKA**

Székhely: 4400 Nyíregyháza, Ószőlő út 99. Telephely: 4400 Nyíregyháza, Rákóczi út 102.  
Tel.: +36 42 504-093, +36 42 504-094, +36 20 9449-003, +36 20 9555-417 Fax.: +36 42 504-095  
E-mail: [info@adam-adam.hu](mailto:info@adam-adam.hu) Weblap: [www.adam-adam.hu](http://www.adam-adam.hu) Webshop: [shop.adam-adam.hu](http://shop.adam-adam.hu)

**TTW 4000A**

**TTW 4000A F**

DE

Ersatzteilliste

WIG-Handschweißbrenner

EN

Spare Parts List

TIG Manual welding torch

FR

Liste de pièces de rechange  
chalumeau manuelle TIG

IT

Lista parti di ricambio  
cannello di saldatura WIG

ES

Lista de repuestos  
Soplete para soldadura manual  
TIG

PT-BR

Lista de peças sobresselentes  
Queimador de soldadura MIG

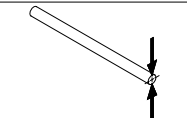
[www.fronius-hegesztogep.com](http://www.fronius-hegesztogep.com)

**Ádám és Ádám Kft**

4400 Nyíregyháza, Rákóczi út 102

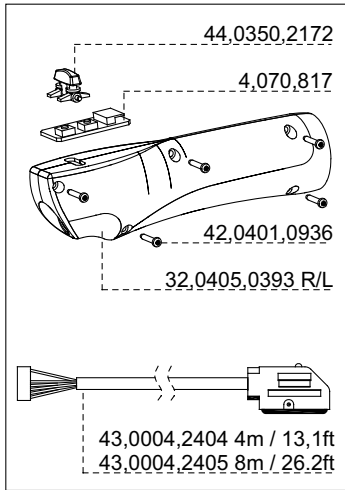
Tel.: +36 42 504 093 +36 20 9449 003

4,035,774 TTW4000A F++ / 4m / 13,1ft  
 4,035,775 TTW4000A F++ / 8m / 26,2ft  
  
 4,035,778 TTW4000A F++ / UD / 4m / 13,1ft  
 4,035,779 TTW4000A F++ / UD / 8m / 26,2ft  
 4,035,788 TTW4000A F++ / UD / Le / 4m / 13,1ft  
 4,035,789 TTW4000A F++ / UD / Le / 8m / 26,2ft  
  
 4,035,792 TTW4000A F++ / JM / Le / 4m / 13,1ft  
 4,035,793 TTW4000A F++ / JM / Le / 8m / 26,2ft  
  
 4,035,780 TTW4000A F/F++ / UD / 4m / 13,1ft  
 4,035,781 TTW4000A F/F++ / UD / 8m / 26,2ft  
  
 4,035,794 TTW4000A F/F++ / JM / Le / 4m / 13,1ft  
 4,035,795 TTW4000A F/F++ / JM / Le / 8m / 26,2ft

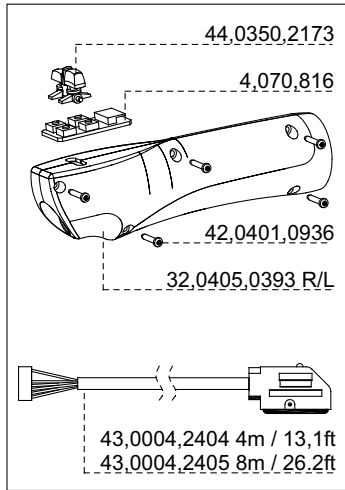
	Ø mm	Ø inch
	1,0-4,0	0,039-0,157



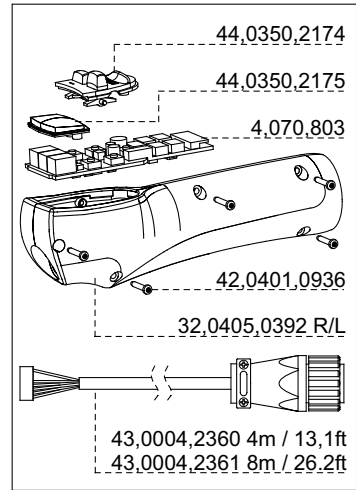
**STANDARD**



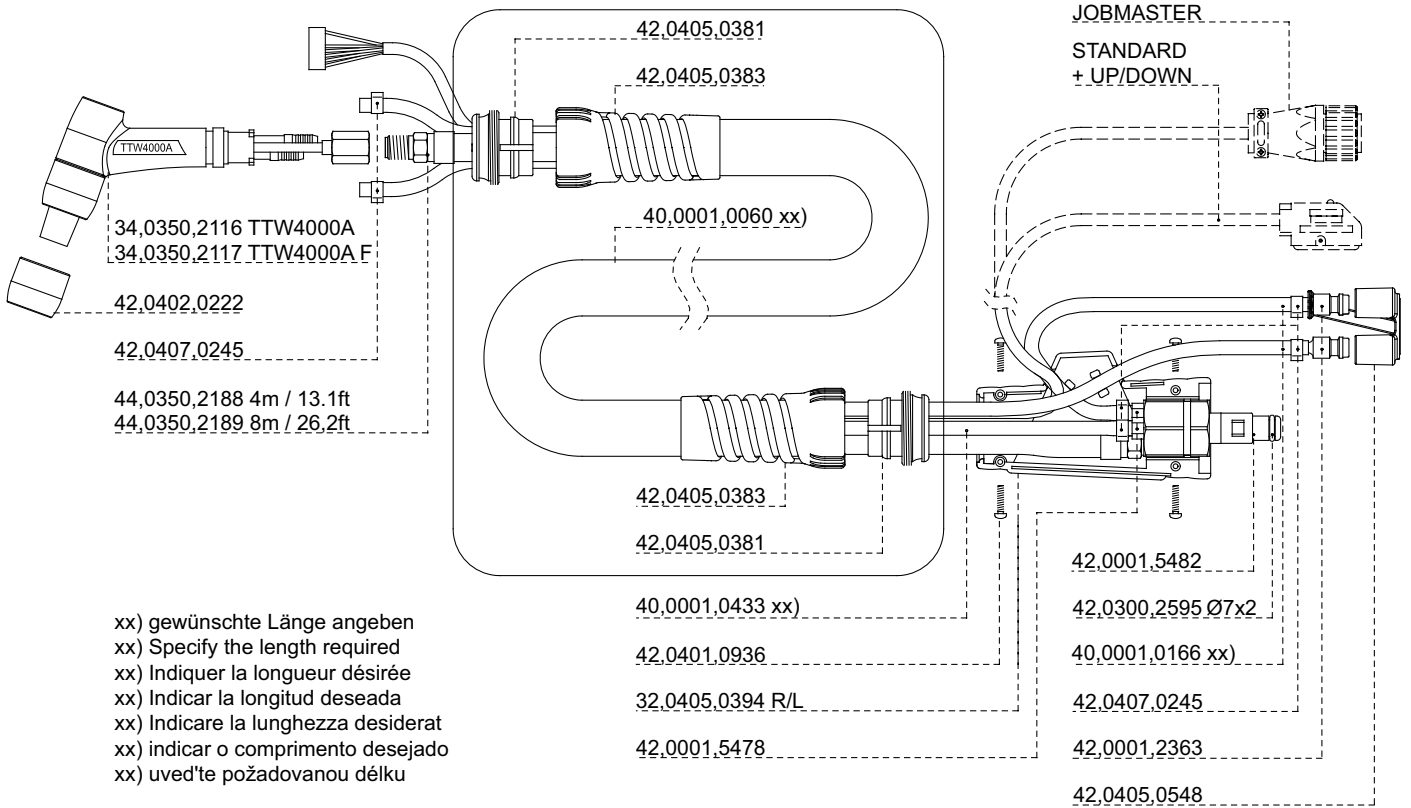
**UP/DOWN**



**JOBMASTER**

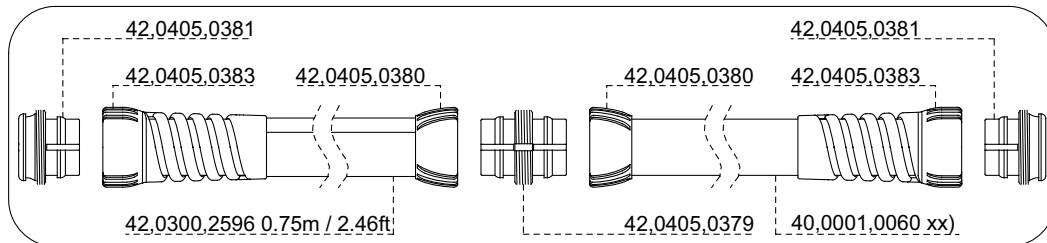


44.0350.2176 4m / 13.1ft / 44.0350.2177 8m / 26.2ft



xx) gewünschte Länge angeben  
xx) Specify the length required  
xx) Indiquer la longueur désirée  
xx) Indicar la longitud deseada  
xx) Indicare la lunghezza desiderata  
xx) indicar o comprimento desejado  
xx) uved'te požadovanou délku

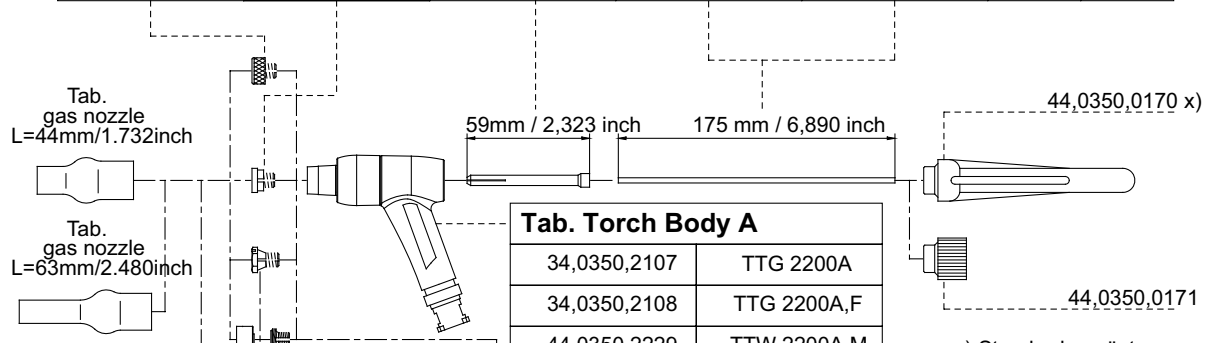
**OPTION - Leder / Leather / Cuir**  
44.0350.2180 4m / 13.1ft / 44.0350.2181 8m / 26.2ft



TTW4000AF++/UD/JM/Le, TTW4000AFF++/UD/JM/Le

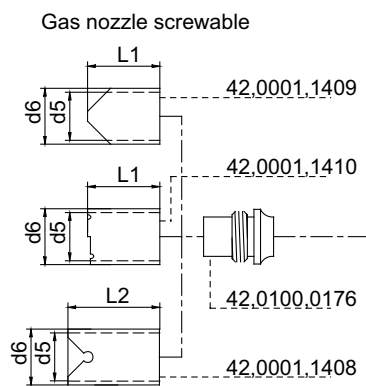
Ersatzteilliste / Spare parts list / Listes de pièces de rechange / Lista de repuestos / Lista de peças sobresselentes / Lista dei Ricambi

Part No. gas lens	Part No. clamping nut	Part No. collet	Part No. electrode WC20	Part No. electrode WP	Electrode Ø	
					Ømm	Øinch
44,0350,1500	42,0001,0692	42,0001,0697	42,0411,4012		1,0	.039
44,0350,1501	42,0001,0693	42,0001,0698	42,0411,4001	42,0411,4008	1,6	.063
44,0350,1460	42,0001,0694 x)	42,0001,0699 x)	42,0411,4002 x)	42,0411,4005	2,4	.094
44,0350,1461	42,0001,0695	42,0001,0700	42,0411,4003	42,0411,4006	3,2	.126
	42,0001,0696	42,0001,0701	42,0411,4013	42,0411,4007	4,0	.157
			42,0411,4014	42,0411,4009	4,8	.189



Tab. Torch Body A	
34,0350,2107	TTG 2200A
34,0350,2108	TTG 2200A,F
44,0350,2229	TTW 2200A,M
34,0350,2116	TTW 4000A
34,0350,2117	TTW 4000A,F
44,0350,2231	TTW 4000A,M

- x) Standardausrüstung
- x) standard equipment
- x) équipement standard
- x) equipamiento estándar
- x) accessori standard
- x) equipamento de série



gas nozzle ceramic plugable L=44mm/1.732inch	d1		d2		Part No.
	mm	inch	mm	inch	
	6,35	.250	20,8	.819	42,0300,0672
	8,0	.315	20,8	.819	42,0300,0461
	9,5	.374	20,8	.819	42,0300,0462 x)
	11,1	.437	20,8	.819	42,0300,0463
	12,7	.500	20,8	.819	42,0300,0464
	14,3	.563	20,8	.819	42,0300,0465
	16,0	.630	20,8	.819	42,0300,0466
	18,0	.709	22,8	.898	42,0300,0467

TTG 2200 A-MTW 4000 A-M AL 22-M AW 42-M			
Electrode		Part No. gas lens	Part No. clamping nut
Ømm	Øinch		
1,0	.039		42,0001,1667
1,6	.063		42,0001,1668
2,4	.094		42,0001,1669
3,2	.126		42,0001,1670
4,0	.157		42,0001,1671
4,8	.189		42,0001,1481
2,4	.094	44,0350,1462	42,0001,2741
3,2	.126	44,0350,1463	42,0001,2742

gas nozzle ceramic plugable L=63mm/2.480inch	d3		d4		Part No.
	mm	inch	mm	inch	
	6,35	.250	20,8	.819	42,0300,1120
	8,0	.315	20,8	.819	42,0300,1121
	9,5	.374	20,8	.819	42,0300,1122
	11,1	.437	20,8	.819	42,0300,1123

Measurement gas nozzle screwable							
d5		d6		L1		L2	
mm	inch	mm	inch	mm	inch	mm	inch
22	.866	25,5	1,004	33	1,299	42	1,654



**Wearing parts TTG 2200A TTW 4000A F M**

Ersatzteilliste / Spare parts list / Listes de pièces de rechange / Lista de repuestos / Lista de peças sobresselentes / Lista dei Ricambi

[www.fronius-hegesztogep.com](http://www.fronius-hegesztogep.com)

**Ádám és Ádám Kft**  
4400 Nyíregyháza, Rákóczi út 102  
Tel.: +36 42 504 093 +36 20 9449 003



**FRONIUS INTERNATIONAL GMBH**  
Froniusplatz 1, A-4600 Wels, Austria  
Tel: +43 (0)7242 241-0, Fax: +43 (0)7242 241-3940